

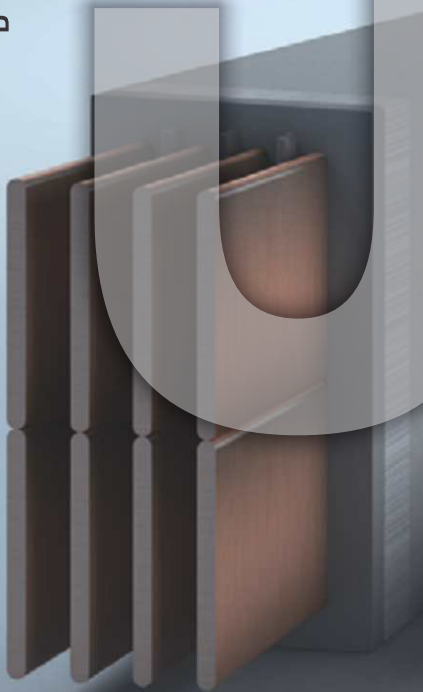
SUPER COMPACT RESIN

S
Y
S
T
E
M
S

B
U
S
B
A
R

S
C
R

resin IP-68

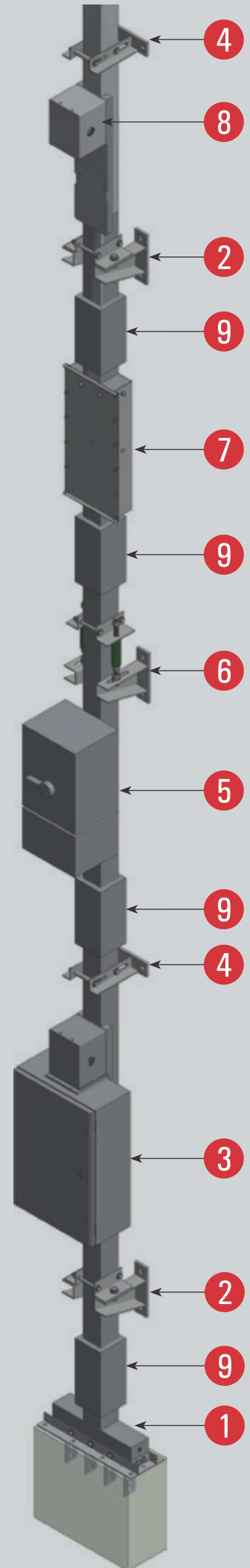
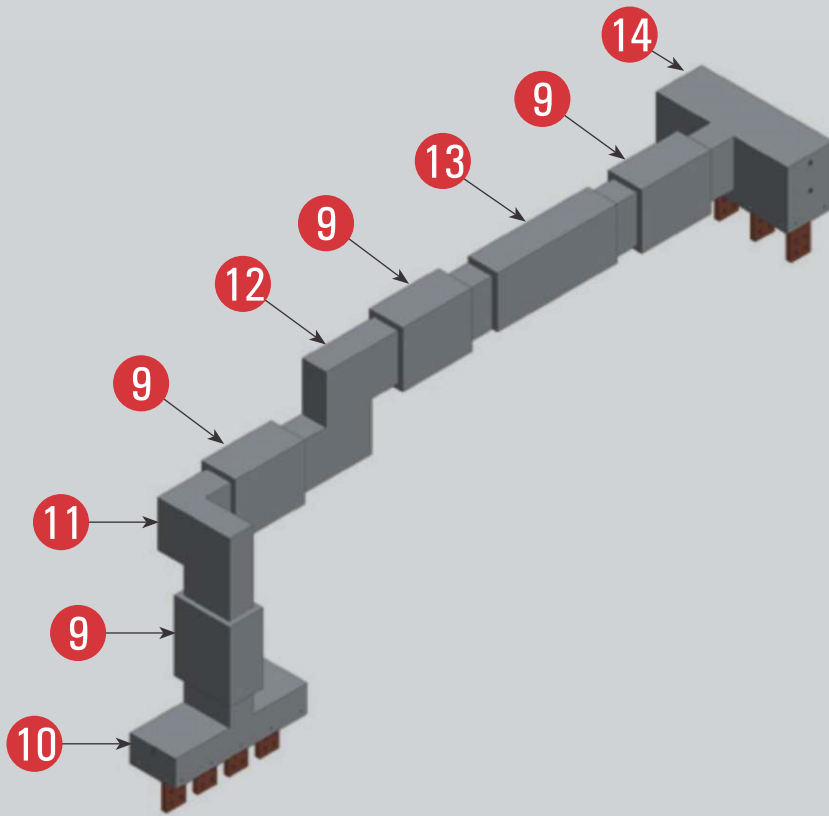
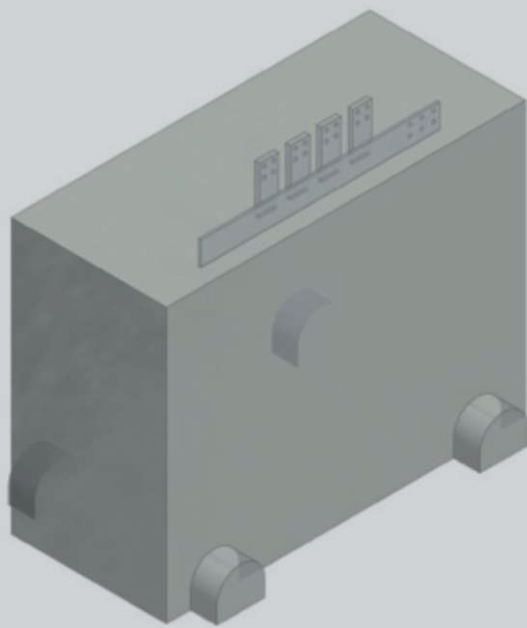


ISO9001/ISO14001/OHSAS18001

BK S

STROMSCHIENEN AG
BUSBAR SYSTEMS





- 1 Cable terminal box IP55
- 2 Vertical wall fix-point
- 3 Slide in box IP55
- 4 Vertical wall guiding-support
- 5 Polyester Tap off-box IP67
- 6 Vertical wall spring-support
- 7 Expansion element
- 8 Tap off for slide in box
- 9 Straight joint
- 10 Terminal element TJ
- 11 Double elbow flat dihedral
- 12 Double flat elbow
- 13 Phase transposition element
- 14 Terminal element TK

AI

3P
 3P+100%PEN
 3P+100%N+100%PE
 3P+200%N+100%PE

SC-R with ALUMINIUM Conductors

Rated Current (In)	Amps	400	630	800	1000	1200	1400
Product Code		SC-R	SC-R	SC-R	SC-R	SC-R	SC-R
		SB	SB	SB	SB	SB	SB
		060A-3	060A-4	060A-6	080A	100A	120A

General Characteristics

Reference Standards		IEC 61439-(6)					
Degree of protection (IEC-60529)		Class IP68.IK 10					
Pollution degree		III/3					
Overall Height (H)	mm	90	90	90	110	130	150
Overall Width (W) 4cond./5cond.	mm	90/90	90/90	90/90	100/120	100/120	100/120
Rated operation Voltage Ui	V	AC 1000V					
Rated Insulation Voltage Ue	V	DC/AC1000V					
Frequency	Hz	50-60Hz					
Overload capacity	%	plus 20% during 2 hours					
Rated short-time with stand current ICW	sec.	12	12	27	27	53	53
Rated impulse with stand current IPk	kA	24	24	56	56	117	117
Conductor material		EN 6101B-T7					
Cross section of active conductor	qmm	178	237	352	472	592	712
Cross section of Neutral conductor	qmm	178	237	352	472	592	712
Cross section of PE conductor	qmm	178	237	352	472	592	712

SC-R with ALUMINIUM Conductors

Rated Current (In)	Amps	1600	2000	2500	3200	4000	5000
Product Code		SC-R	SC-R	SC-R	SC-R	SC-R	SC-R
		DB080A	DB100A	DB120A	QB080A	QB100A	QB120A

General Characteristics

Reference Standards		IEC 61439-(6)					
Degree of protection (IEC-60529)		Class I P68.IK10					
Pollution degree		III/3					
Overall Height (H)	mm	190	230	270	380	460	540
Overall Width (W) 4cond./5cond.	mm	100/120	100/120	100/120	100/120	100/120	100/120
Rated operation Voltage Ui	V	AC 1000V					
Rated Insulation Voltage Ue	V	DC/AC1000V					
Frequency	Hz	50-60Hz					
Overload capacity	%	plus 20% during 2 hours					
Rated short-time with stand current ICW	kA/1sec.	53	65	80	100	100	100
Rated impulse with stand current IPk	kA	117	143	176	220	220	220
Conductor material		EN 6101B-T7					
Cross section of active conductor	qmm	945	1185	1425	1890	2370	2850
Cross section of Neutral conductor	qmm	945	1185	1425	1890	2370	2850
Cross section of PE conductor	qmm	945	1185	1425	1890	2370	2850

Cu

3P
 3P+100%PEN
 3P+100%N+100%PE
 3P+200%N+100%PE

SC-R with COPPER Conductors

Rated Current (In)	Amps	630	800	1000	1350	1600	1700
Product Code		SC-R	SC-R	SC-R	SC-R	SC-R	SC-R
		SB	SB	SB	SB	SB	SB
		060K-3	060K-4	060K-6	080K	100K	120K

General Characteristics

Reference Standards		IEC 61439-(6)					
Degree of protection (IEC-60529)		Class IP68.IK10					
Pollution degree		III/3					
Overall Height (H)	mm	90	90	90	110	130	150
Overall Wide (W) 3-4cond./5cond.	mm	90/90	90/90	90/90	100/120	100/120	100/120
Rated operation Voltage Ui	V	AC 1000V					
Rated Insulation Voltage Ue	V	DC/AC 1000V					
Frequency	Hz	50-60Hz					
Overload capacity	%	plus 20% during 2 hours					
Rated short-time with stand current ICW	kA/1sec.	23	23	38	38	65	65
Rated impulse with stand current IPk	kA	48	48	80	80	140	140
Conductor material		CU OEF CW 009A					
Cross section of active conductor	qmm	178	237	352	472	592	712
Cross section of Neutral conductor	qmm	178	237	352	472	592	712
Cross section of PE conductor	qmm	178	237	352	472	592	712

SC-R with COPPER Conductors

Rated Current (In)	Amps	2000	2500	3200	4000	5000	6300
Product Code		SC-R	SC-R	SC-R	SC-R	SC-R	SC-R
		DB080K	DB100K	DB120K	QB080K	QB100K	QB120K

General Characteristics

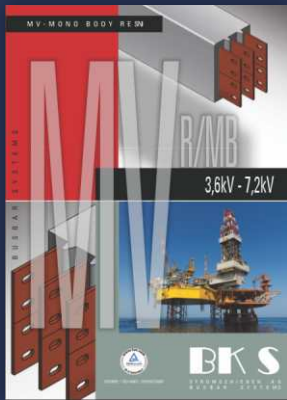
Reference Standards		IEC 61439-(6)					
Degree of protection (IEC-60529)		Class IP68.IK10					
Pollution degree		III/3					
Overall Height (H)	mm	190	230	270	380	460	540
Overall Wide (W) 3-4cond./5cond.	mm	100/120	100/120	100/120	100/120	100/120	100/120
Rated operation Voltage Ui	V	AC1000V					
Rated Insulation Voltage Ue	V	DC/AC1000V					
Frequency	Hz	50-60Hz					
Overload capacity	%	plus 20% during 2 hours					
Rated short-time with stand current ICW	kA/1sec.	65	80	80	100	100	100
Rated impulse with stand current IPk	kA	140	176	176	220	220	220
Conductor material		CU OEF CW 009A					
Cross section of active conductor	qmm	945	1185	1425	1890	2370	2850
Cross section of Neutral conductor	qmm	945	1185	1425	1890	2370	2850
Cross section of PE conductor	qmm	945	1185	1425	1890	2370	2850

MAJOR ADVANTAGES

Wide range from 400A - 6150A / 1000V

- Outdoor IP68 swissmade
- High short circuit-withstand
- Overload capacity 20% during 2 hours
- Full encapsulated in epoxy resin
- Electromagnetic compatibility EMC
- Electro erosion resistance
- Low voltage drop
- Tailor made terminal elements
- High mechanical strength
- Small dimensions
- Air- and watertight wall bushings
- Chemical resistance
- Resistance against fungi, animals, insects, rodent
- UV - resistance
- Self-extinguishing insulation IEC 60332
- Fire retarding wall bushings DIN 4102-9 up to S120
- IEC 60331-12 180min, DIN 4102-12 up to 120min
- ATEX zone II
- Non chimney effect
- Tropical resistance
- > 50 Years life time and maintenance free

All busbar types tested to international standards
in official laboratories.



MV-R/MB



MV-R



LV-S



CD-K

SUPER COMPACT RESIN



STROMSCHIENEN AG
BUSBAR SYSTEMS

HEAD OFFICE

CH - 4710 Balsthal
Industrie Klus 42-43
Switzerland.

Telefon +41 (0) 6239105 50/51

Fax +41 (0) 62 391 05 55

e-Mail: info@busbar-systems.com

www.busbar-systems.com