

M V - M O N O B O D Y R E S N I

S Y S T E M S

B U S B A R

R/MB

3,6kV - 7,2kV

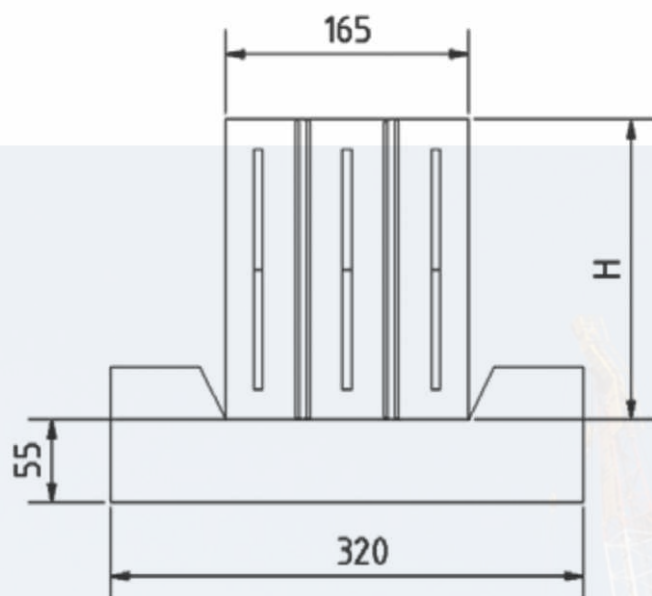


ISO9001 / ISO14001 / OHSAS18001

BK S

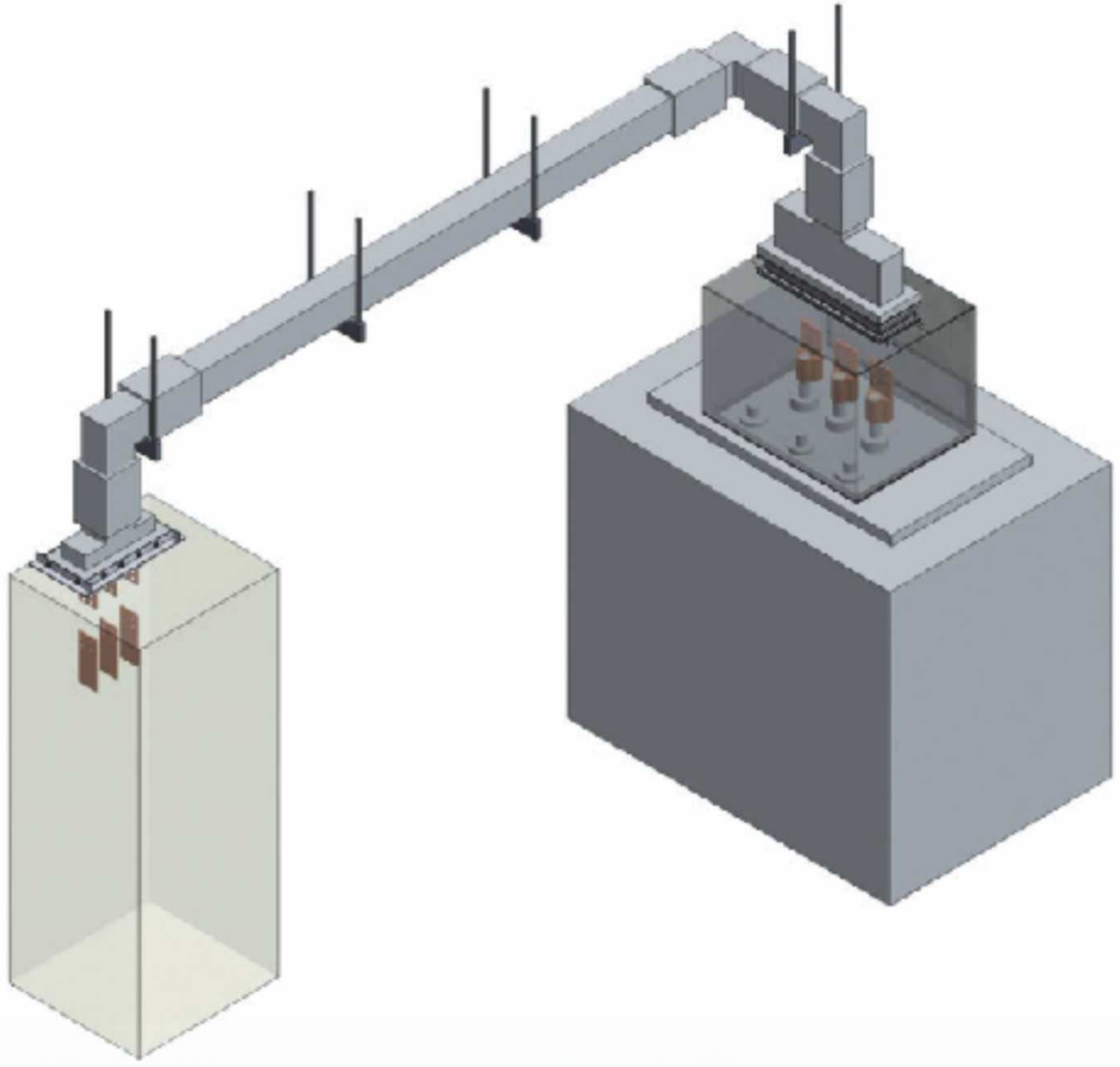
S T R O M S C H I E N E N A G
B U S B A R S Y S T E M S





SYSTEM DESCRIPTION

BKSMV-Resin Mono Body busbar system consist of copper conductors or Aluminium conductors, embedded in an enclosure of homogeneous insulation compound (BIC) based on epoxy resin mixed with a high contend of selected inert mineral fillers, BKS insulation compound is free of occlusions which may cause leaks and partial discharges, with a high mechanical, chemical and fire resistance level. BKS MV-Resin Mono Body busbar system with a high degree of protection IP-68 the ideal solution for use in outdoor installation and tropical, saline and corrosive environments. The system is simple to design, easy toinstall and ultimately maintenance free.



Cu**MV-R/MB-COPPER Conductors**

Type	Ampere Rating	H	micro ohm/m/50Hz			kA	
			R20	Rt	X	I _{cw} /1sec.	I _{dyn.}
MV-R/MB 060-1K	1000	100	49,0	64,7	109,7	38	80
MV-R/MB 080-1K	1250	120	36,6	49,1	95,1	44	95
MV-R/MB 100-1K	1600	140	29,2	39,7	84,0	50	108
MV-R/MB 080-2K	2000	200	18,3	25,2	62,6	67	144
MV-R/MB 100-2K	2500	240	14,6	20,3	53,7	84	181
MV-R/MB 120-2K	3200	280	12,2	16,9	47,1	100	220

*At 60 Hz all X value are 20% higher

MV-R/MB-ALUMINIUM Conductors

Type	Ampere Rating	H	micro ohm/m/50Hz			kA	
			R20	Rt	X	I _{cw} /1sec.	I _{dyn.}
MV-R/MB 060-1A	800	100	80,5	103,1	110,0	27	56
MV-R/MB 080-1A	1000	120	60,4	77,8	95,5	27	56
MV-R/MB 100-1A	1250	140	48,3	62,5	84,5	53	117
MV-R/MB 080-2A	1600	200	30,2	39,5	63,2	53	117
MV-R/MB 100-2A	2000	240	24,2	31,8	54,2	65	142
MV-R/MB 120-2A	2500	280	20,1	26,5	47,5	65	143

*At 60 Hz all X value are 20% higher

Al

MVR/MB

MAJOR ADVANTAGES

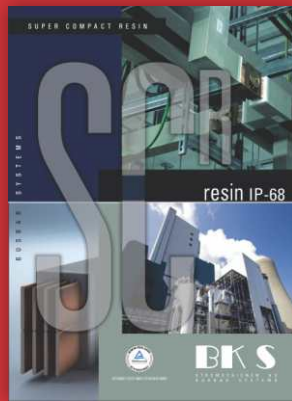
- According to international standards
- Outdoor IP68
- Full insulated with epoxy cast resin
- Electroerosion resistance
- Tailor made terminal elements
- High mechanical strength
- Very Small dimensions
- Air- and watertight wall bushings
- Chemical resistance
- Resistance against fungi, animals, insects, rodent
- UV - resistance
- Tropical resistance
- Fire retarding wall bushings S120
- Maintenance free

All busbar types tested to international standards in official laboratories.

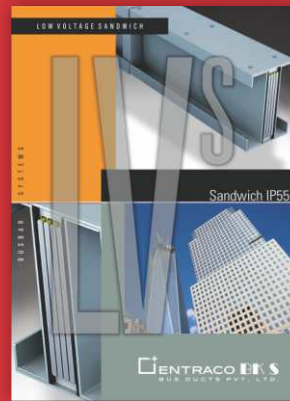




MV-R



SC-R



LV-S



CD-K

MV - MONO BODY RESIN

BK S

STROMSCHIENEN AG
BUSBAR SYSTEMS

HEAD OFFICE

CH - 4710 Balsthal
Industrie Klus 42-43
Switzerland.

Telefon +41 (0) 6239105 50/51

Fax +41 (0) 62 391 05 55

e-Mail: info@busbar-systems.com

www.busbar-systems.com