

GLOBAL ^{trac}base

L I G H T I N G T R A C K S Y S T E M

The *1-circuit*
system



NQA



1 - Circuit

GLOBAL ^{IPPC} base



GLOBAL base, the single circuit system

The **GLOBAL base** system of the **GLOBAL trac** family is a complete track system for lighting in retail shops, public facilities, office buildings and homes. The **GLOBAL trac** system family continues the well-established NOKIA track system tradition. Other members of the family are **GLOBAL pro** and **GLOBAL control** and the following UL-listed lighting track systems for North America: **GLOBAL eco**, **GLOBAL tek** and **GLOBAL Htek**.

Using **GLOBAL base** simplifies the task when placing the electrical outlet points in your lighting system. You can adjust the lighting according to your requirements and change the mounting to match rearranged premises. The streamlined system is also well suited for home interiors.

The **GLOBAL base** technical solutions are similar to those in the **GLOBAL pro** system.

GLOBAL trac[®] is a registered trademark of Nordic Aluminium Plc.

All our packing material is recyclable for proper environmental management.

GLOBAL ^{IPPC} base

Tracks

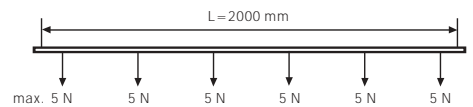
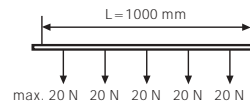




1-circuit lighting tracks

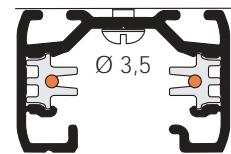
(L₁+neutral+earth) 16 A/250 V IP 20

- The tracks are pre-punched with fastening holes (see the table below).
- Tracks can be cut at the installation site.
- We can also custom produce specific lengths and bends.
- The recommended fastening distance is L = 1000 mm.



Surface mounted tracks

	Length in mm
GB 2100	1000
GB 2200	2000
GB 2300	3000
GB 2400	4000



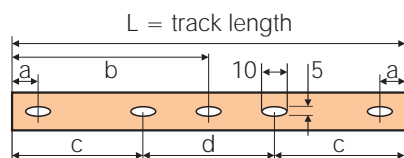
Recessed tracks

	Length in mm
GBF 2100	1000
GBF 2200	2000
GBF 2300	3000
GBF 2400	4000

Available colours:

- 1 natural anodised aluminium
- 2 black, RAL 9005
- 3 white, RAL 9010

L mm	a mm	b mm	c mm	d mm
1000	250			
2000	250	1000		
3000	250		1000	1000
4000	250		1500	1000



Accessories



Accessories and adapters

GLOBAL base lighting tracks are designed for easy surface mounting on ceilings and walls, or recessed mounting in suspended ceilings.

The tracks can be mounted at right angles, and with the adjustable corner connector, at different angles or levels, depending on the structural requirements. Besides flexibility, easy and quick mounting are some of the fundamental principles in the design of the system.

Also I, L, T and X-connectors are designed for power supply. The accessories are designed in modular dimensions, allowing installation in exact squares and rectangles. The covers open wide for mounting, and the supply cable is easy to connect. The smartly designed finish highlights the installation.

The GB 66 adapter is slim and well recessed into the track. Cable wires are pressed into the slot connectors -no screws are needed. The GB 67 adapter is intended for heavier use and also for feeding 1-phase devices.

The transformer adapter GBT 67 is the natural solution for low voltage applications.

Lighting fixtures from different sources are easy to connect to the adapters with a selection of nipples.



Accessories

Feeds

GB 11	End feed
GB 12	End feed, mirror image
GB 14	Middle feed

Connectors

GB 21	Straight connector*
GB 24	Adjustable corner connector 0°-360°
GB 34	L-connector
GB 35	L-connector
GB 36	T-connector
GB 37	T-connector
GB 39	T-connector
GB 40	T-connector
GB 38	X-connector
GB 41	End cap

* Cannot be used as feed

Available colours:

- 2 black, RAL 9005
- 3 white, RAL 9010



GB 24

Other components

Hook base

GBA 14 (colour: 2, 3)
 F_{max} 100N

Hook

XTAK 11 (1)
 F_{max} 50N

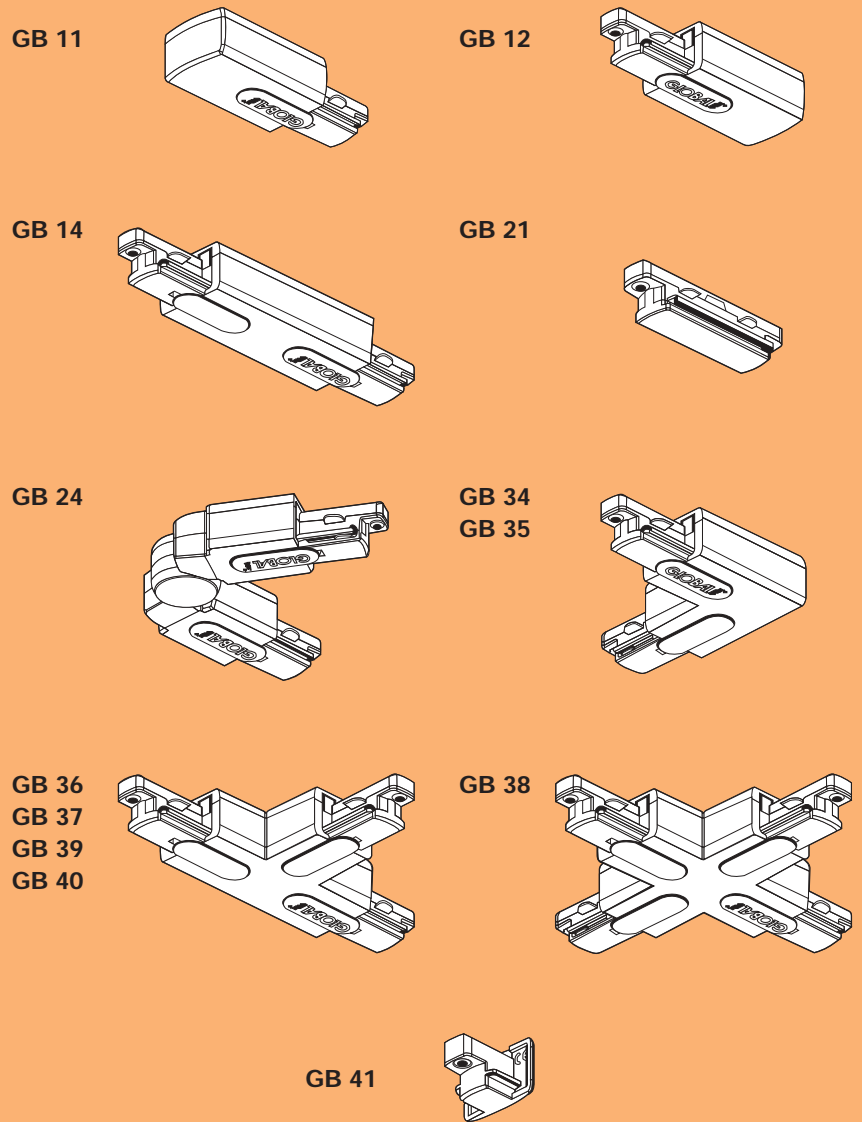
For recessed tracks

Coverplates for end feeds

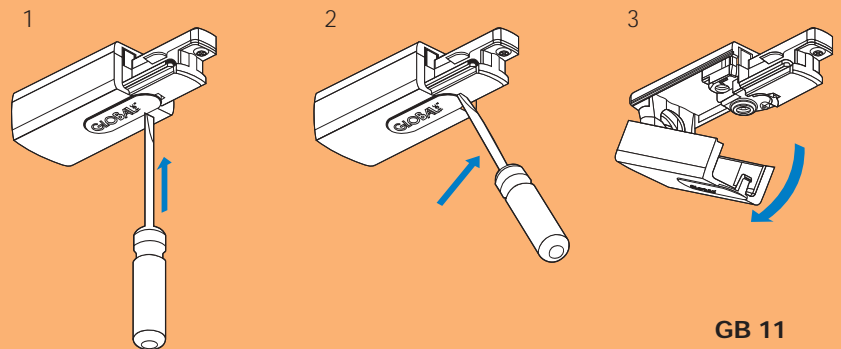
GBF 10 (2, 3)

Coverplates for I-, L-, T- and X connectors

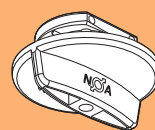
GBF 30 (2, 3)



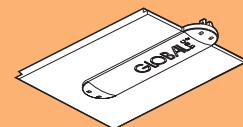
Opening the accessory cover with snap-in technique is easy.



Other components



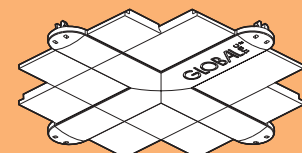
GBA 14



GBF 10



XTAK 11



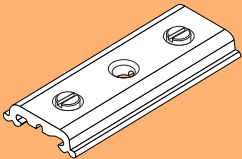
GBF 30

Mounting accessories

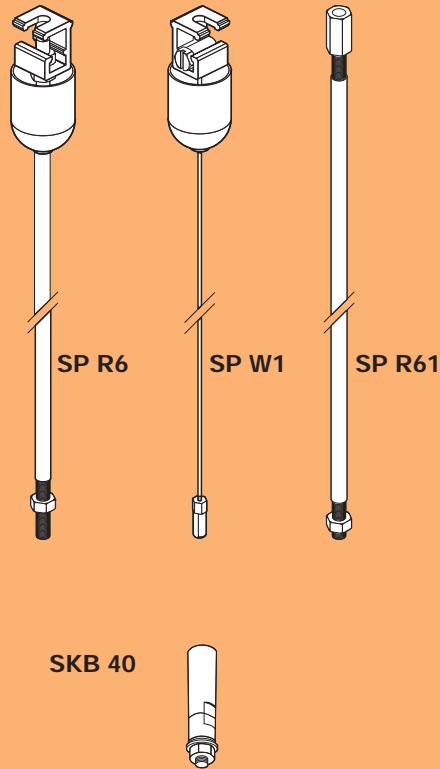
GBS 33



GBS 18

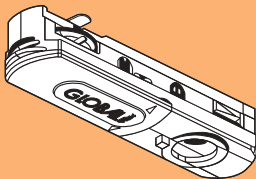


Support for straight connector (GB 21) in suspended installations



Adapter

GB 66



Nipples

GA 57/10-2
GA 57/10-3



GA 57/10-9



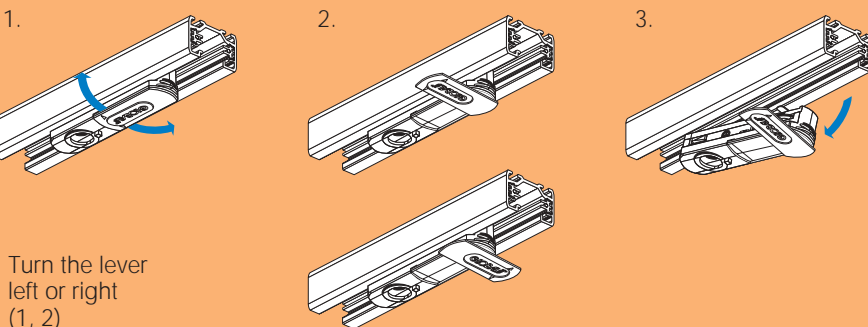
Strain relief

XTSA 510-2
XTSA 510-3



Removing the adapter

GB 66



Turn the lever left or right (1, 2)

Mounting accessories

GBS 33	Suspension clamp M6, F_{max} 200N (colour: 9)
GBS 18	Support M6, F_{max} 200N (9)
SP R6	Rod suspension set M6, length 1000 mm F_{max} 200N (2, 3)
SP W1	Wire suspension set terminal M6, length 1500 mm F_{max} 150N (2, 3)
SP R61	Rod extension set M6, length 1000 mm F_{max} 200N (2, 3)
SKB 40	Height adjusting sleeve M6, F_{max} 200N (1)

Adapter

GB 66

Adapter features

Rated values 6A, 250V
Protection class I
Pull strength 50N
Torque max 2.5Nm
Slot connection for stranded wires 0.5...1.0 mm²

Available colours:

- 2 black, RAL 9005
- 3 white, RAL 9010

Nipples

For adapter GB 66

GA 57/10-2 (plastic)
GA 57/10-3 (plastic)
GA 57/10-9 (aluminium)
Rotating M 10x1
Thread length 10 mm

Strain relief

XTSA 510-2 (plastic)
XTSA 510-3 (plastic)
Inner thread M 10x1

Colours

- 2 black, RAL 9005
- 3 white, RAL 9010
- 9 bright
- 1 grey
- natural anodised aluminium (clamps and tracks)
- zink coated steel

Adapter

GB 67

Adapter features

Rated values 16A, 250V

Protection class I

Pull strength 100N

Torque max 2.5Nm

Screw terminals for conductor max 2,5 mm²

Cable grip CG 69 option

GB 66 and GB 67 use

Intended for the connection of spots to the **GLOBAL base** 1-circuit track.

The adapters are also compatible with Concord Lytespan 1 and Lytespan LP tracks.

GB 67 also for feeding 1-phase devices.

GBT 67

Adapter features

Pull strength 100N

Bending moment 2,5Nm

Protection class II

Nominal values:

- 75W

- prim 230V, 0.33A, 50/60Hz
(UK prim 240V, 0.31A, 50/60Hz)

- sec 12V, 6.25A

- dimmable

- thermal and short circuit protection
with auto-reset

Use

Intended for connection of 12V low voltage halogen spots to the GLOBAL base 1-circuit tracks. The GBT 67 trafo-adapter is also compatible with Concord Lytespan 1 and Lytespan LP tracks.

Available colours:

- 1 grey, RAL 7040

- 2 black, RAL 9005

- 3 white, RAL 9010

Nipples

For adapter GB 67 and GBT 67 aluminium nipples

XTSA 55/12-9 Thread length 12 mm

XTSA 57/8-9 Thread length 8 mm

XTSA 57/12-9 Thread length 12 mm

XTS 56/8-9 Thread length 8 mm

XTS 58/8-9 Thread length 8 mm

M10 nipples inner Ø 9 mm max.

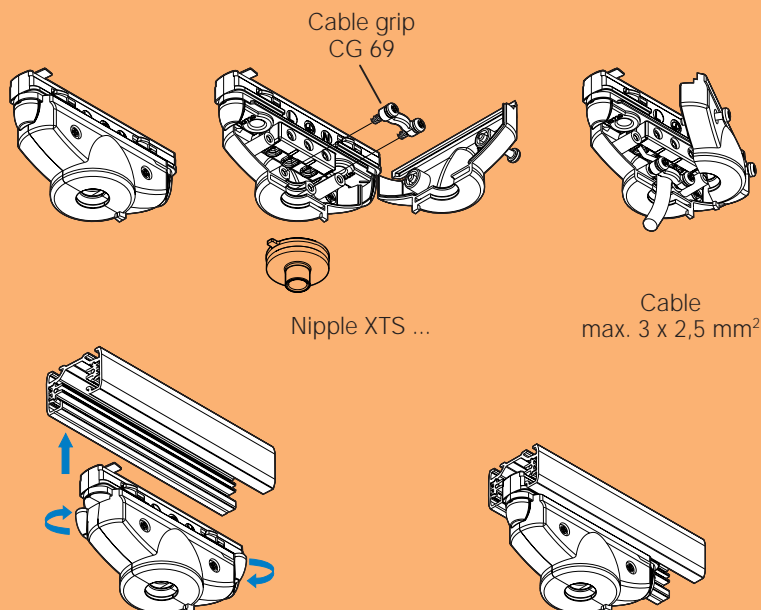
M13 nipples inner Ø 7,4 mm max.

Colour:

- 9 bright

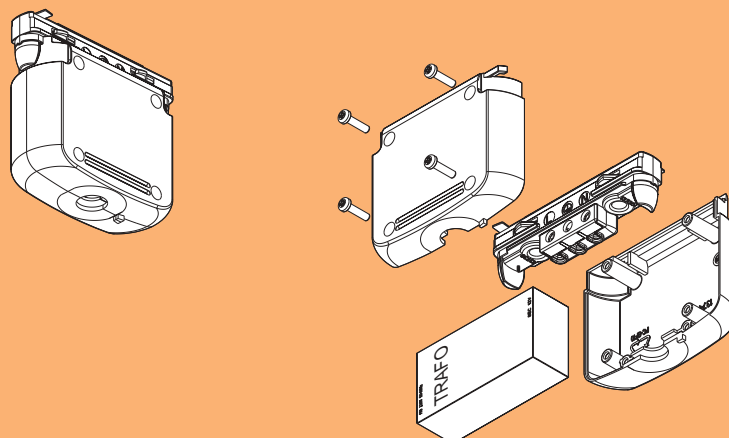
Adapter

GB 67



Adapter

GBT 67



GB 67 and GBT 67 nipples

XTSA

XTS



55/12
M 13 x 1
rotating



57/8
M 10 x 1
rotating



57/12
M 10 x 1
rotating

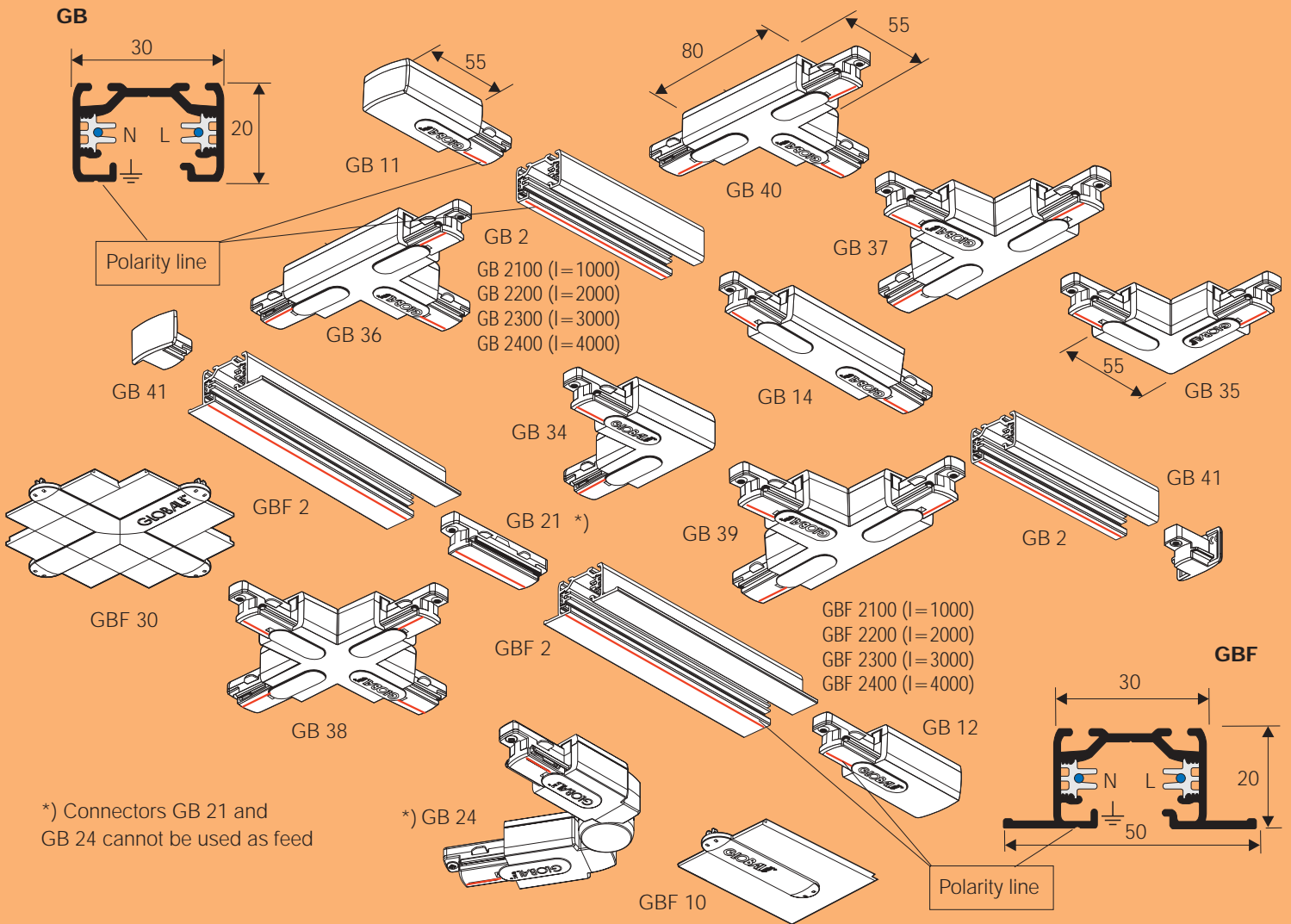


56/8
M 13 x 1
fixed



58/8
M 10 x 1
fixed

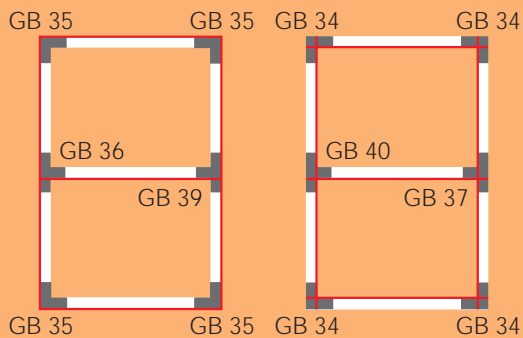
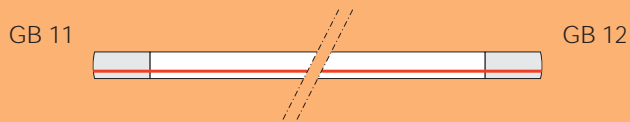
GLOBAL PRO base 1-CIRCUIT LIGHTING TRACK SYSTEM



* Connectors GB 21 and GB 24 cannot be used as feed

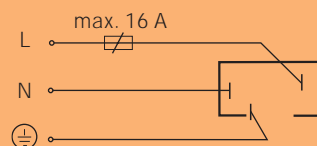
Use of L- and T-accessories

Red line indicates ground



Connection

230 V, 16 A, 3.7 kW



NORDIC  ALUMINIUM



NORDIC ALUMINIUM PLC

P.O.BOX 117, FIN-02401 Kirkkonummi, FINLAND

Tel. + 358-9-68 251, fax + 358-9-298 2154

www.nordicaluminium.fi

