

Safety Device

For Lifting, Travelling, Lighting

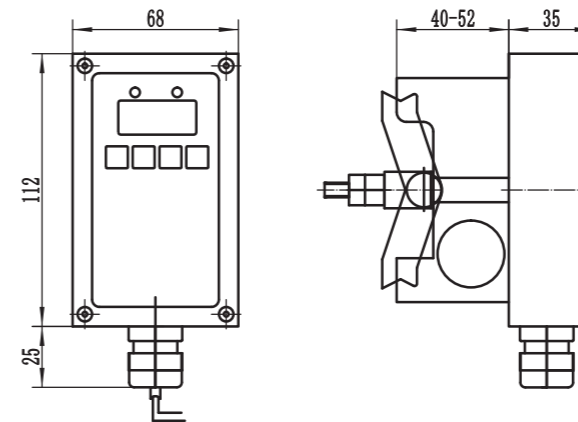
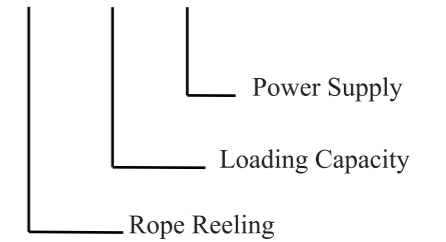
Catalogue

BQX - ZQX - XCE - FGR - BEN

Electric Parts - Clamp type Load Limited Switch BQX Series



BQX - 4/1 - 3T - 48V



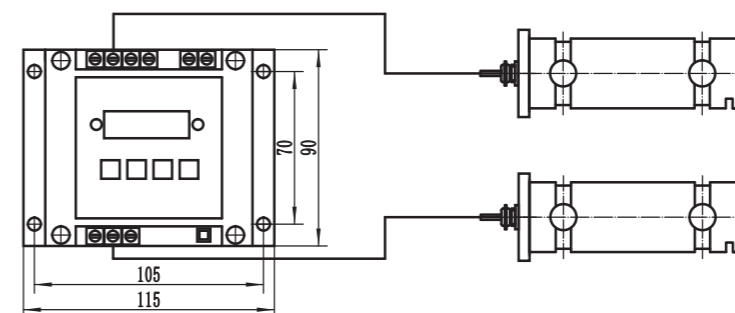
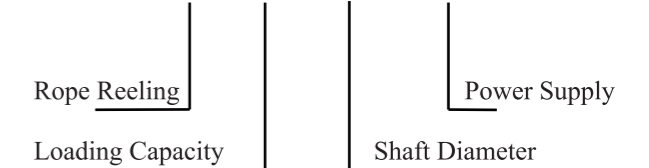
Technical Feature

- Display Precision : $\leq 10\%$ F.S,
- Function: 90% Pre Warning,
105% Warning and Closed the Lifting up
110% Closed Hositing Immediately
- Temperature: $-20^{\circ}\text{C} \sim +60^{\circ}\text{C} / 90\text{RH}$
- IP Class: Sensor IP65, Instrument IP42
- Contact capacity: AC250V, 10A
- Power supply: AC380V $\pm 10\%$, 50Hz

Electric Parts - Pin type Load Limited Switch ZQX Series



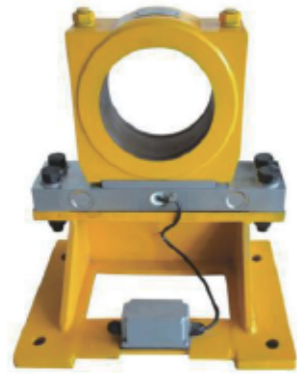
ZQX - 4/1 - 5T - 40 - 48V



Technical Feature

- Display Precision : $\leq 5\%$ F.S,
- Function: 90% Pre Warning,
105% Warning and Closed the Lifting up
110% Closed Hositing Immediately
- Temperature: $-20^{\circ}\text{C} \sim +60^{\circ}\text{C} / 90\text{RH}$
- IP Class: Sensor IP65, Instrument IP42
- Contact capacity: AC250V, 10A
- Power supply: AC48V $\pm 10\%$, 50Hz

Electric Parts - Foot-mounted Load Limited Switch
DCX Series



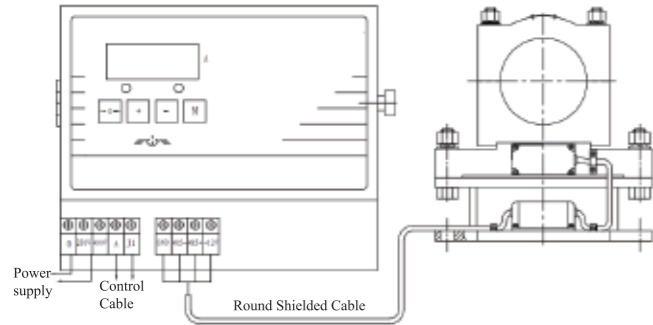
DCX - 8/2 - 30T - 200 - 400

Rope Reeling
Loading Capacity

Center Height(H)
Shaft Diameter

Technical Feature

Application: 3.2 ~ 600T crane
 Display Precision : $\leq 5\%$ F.S,
 Function: 90% Pre Warning,
 105% Warning and Closed the Lifting up
 110% Closed Hositing Immediately
 Temperature: $-15^{\circ}\text{C} \sim +60^{\circ}\text{C} / \leq 90\text{RH}$
 IP Class: Sensor IP65, Instrument IP43
 Contact capacity: AC250V, 10A
 Power supply: AC380V $\pm 10\%$, 50Hz



Electric Parts - Current Overload Limit Switch
CQX Series



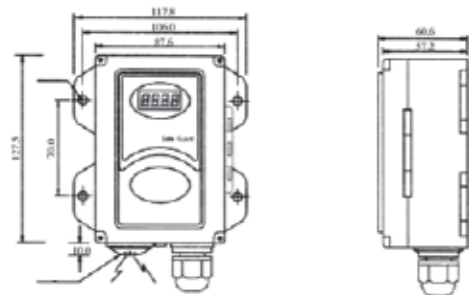
CQX - 40

Max. Load Current.

Model		LAMP-Q5
Current Transformer (C.T)		
Optional Range	Capacity	$\leq 20\text{t}$
Motor	Power	AC320V-480V
Load current adjustment range		0.8-40A
Minimum Allowable Change in Current		0.1A(100mA)
Starting time adjustment range		0.1-25s
Overload time adjustment range		0.1-25s
Reset time adjustment range		0.1-25s
Output Voltage		1a, 1b AC250V 5A(Resistive load)
Temperature Range		$-10 \sim 60^{\circ}\text{C}$
Inner Stress		AC1500/min
Power dissipation		1.5VA

Technical Feature

Display Precision : $\leq 10\%$ F.S,
 Humidity: below 40%
 Environmental conditions: No corrosive and insulating gas,
 no flammable and ex-plosive gas and other harsh environments.



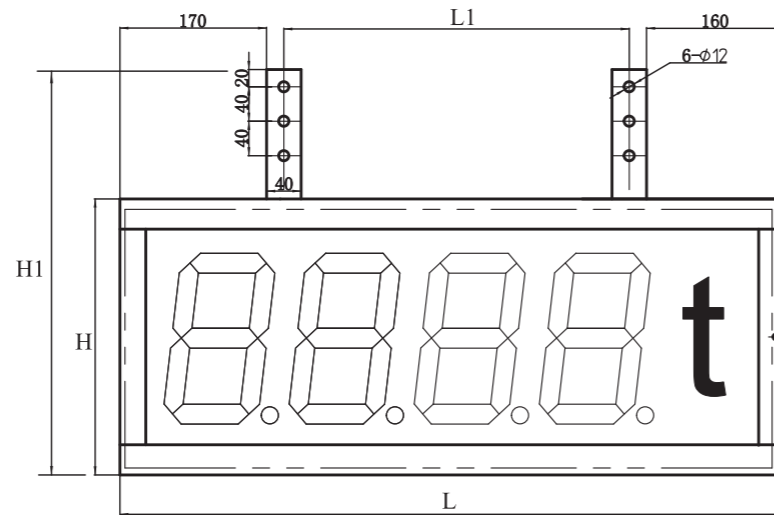
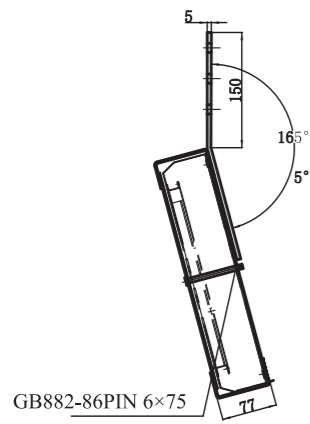
Electric Parts - Intelligent System
BCQ-S2



No.	Function	Description	Note
1	Overload protection	Protect the crane from overload operation	Standard
2	Two - machine cooperative	Two - machine cooperative communication and overload protection	Standard
3	Height limit data acquisition	Real-time display the height of hook	Optional
4	Overheat protection data acquisition	Motor thermal protection acquisition (switch volume reservation)	Optional
5	Motor start test	Current detection (with current transformer, independent interface)	Optional
6	Data record	Real-time recording of crane operation data	Standard
7	Fault record	View and record failure information	Standard
8	Data export	Export run data, failure events	Standard
9	Parameter calibration, setting and clearing	Weighing, height calibration, alarm parameter setting, factory value recovery,	Standard
10	Password protection	Three levels of password protection (operators and engineering manufacturers)	Standard
11	Calendar	Time record	Standard
12	Large Screen Display	External large screen display function	Optional
13	4G telecommunication	Cloud platform communication	Optional

No.	Item	Technical Data
1	Rated Voltage Range	30-50V/AC
2	Frequency	50/60Hz
3	Command Relay Output	AC230V 10A (normally open relay contact)
4	Programmable Relay Output	AC230V 10A (normally closed relay contact)
5	Command Input	AC36/48V-L
6	Programmed Input	AC36/48V-L
7	Power Output	12V/100MA
8	Power Consumption	<1VA
9	Working Temperature	$-20^{\circ}\text{C} \sim 60^{\circ}\text{C}$
10	Working Humidity	0-100%RH
11	Overall Dimension (L×W×H)	115mm*90mm*72mm

NTGL - 5
Dimension

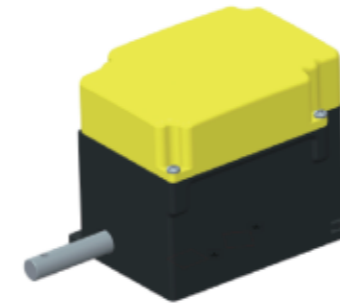


Technical Feature

Display with	BQX and ZQX Load Limited Switch
Signals Communication Interface:	485
IP Class:	IP54
Lighting:	Red LED
Material:	Steel Sheath with Electrical Components
Power supply:	Input AC220V; Output 12V/5V

Dimention

Model	L	L1	H	H1	Dimention
NTGL-5	620	380	240	350	5"
NTGL-8	800	400	320	450	8"
NTGL-10	960	400	390	520	10"



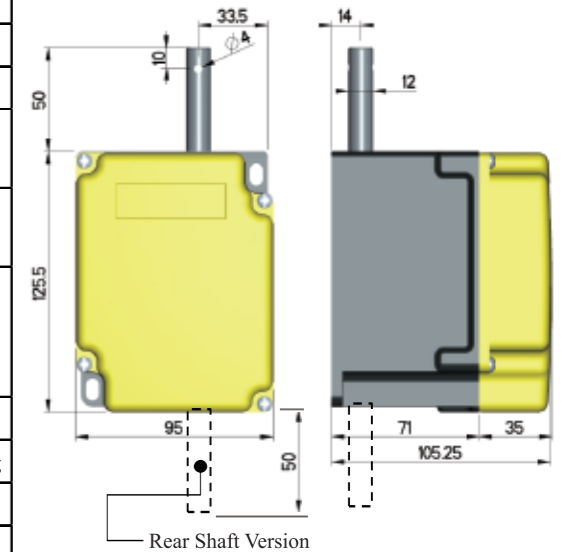
FGR 1 0 075 4

Ratio
10075: 1:75
10100: 1:100
10150: 1:150
10200: 1:200
10400: 1:400

Fixing:
4: Base
4F: Flanged

Characteristics

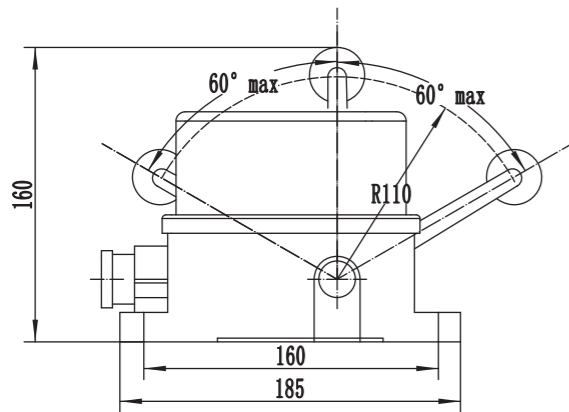
Case	Self extinguishing housing V0 UL94
Ratio	012=00-050-075-100-150-200-400
Protection Class	IP65
Shaft Type	-Steel -Coaxial Shaft version available
Fixing Type	-Bottom -Front (flanged version)
Microswitch	8A-250V-Silver plated contacts IEC / EN61058-1 / UL1054 1NC-1NO changeover fas trigger Self cleaning positive opening
Microswitch Max n° / note	Max 4-micrometric adjustment roller lever control (long life)
Cam Block	Self-lubricating with transparent support for easier cam viewing
Cable Entry	M20 or M16 (max 4)
Options	-5 different cam shapes / 15 pinions -potentiometer (3 support version)



			n° of Microswitch 2-3-4	Potentiometer 2.5 / 5 / 10 kΩ	Rear Shaft	Microswitch Cams
012	FGR100124	FGR100124F	4 silver plated	NO	NO	STANDARD
033	FGR100334	FGR100334F		NO	NO	
050	FGR100504	FGR100504F		NO	NO	
075	FGR100754	FGR100754F		NO	NO	
100	FGR101004	FGR101004F		NO	NO	
150	FGR101504	FGR101504F		NO	NO	
200	FGR102004	FGR102004F		NO	NO	
400	FGR104004	FGR104004F		NO	NO	

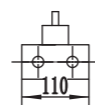
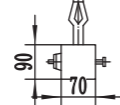
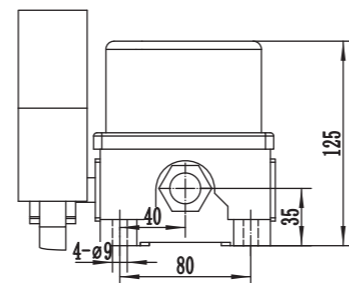
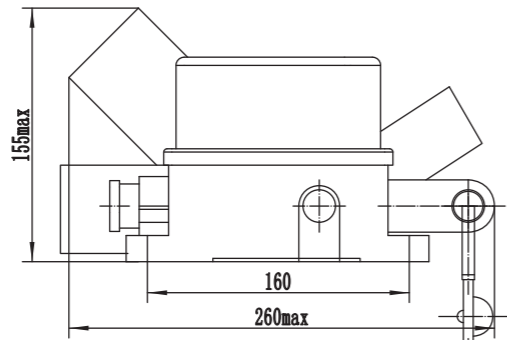
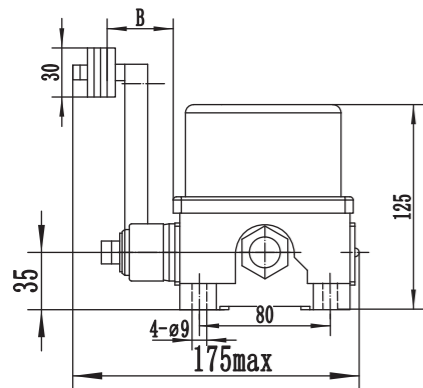


LX33 - 32 - S
Model Waterproof
Ballast Type



Technical Feature

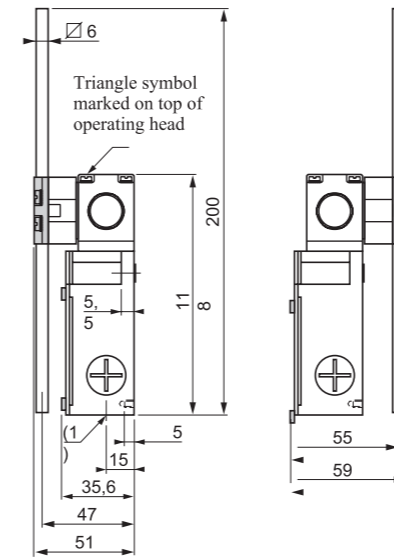
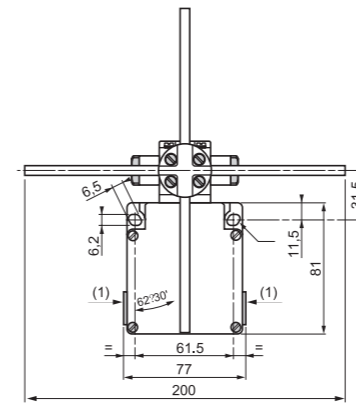
Mechanical lifetime: 60×10⁴
Temperature: -5°C ~ +40°C / ≤90RH
IP Class: IP42
Resistive current: 20A
Power supply: AC380V ± 10%, DC220V± 10%
Rated Control Current: AC9.5A, DC0.55A



SNB -27 - SL2 - N - 180

Alu Rod Length
SL2: 200mm
SL3: 300mm

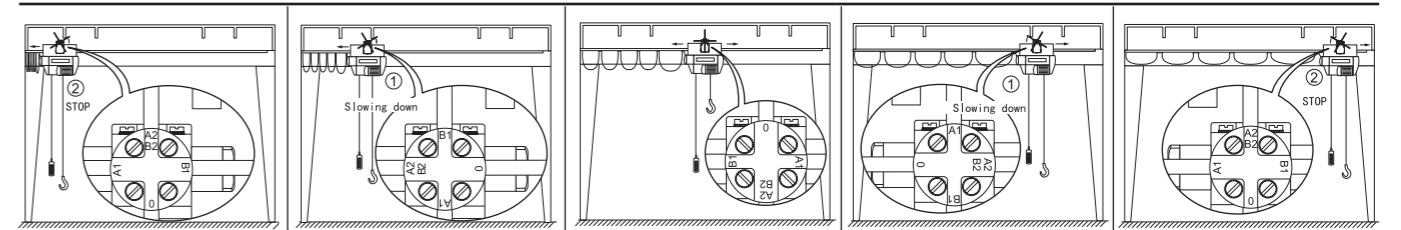
Alu Rod Rotation
180: 180°
360: 360°



Characteristics

Conforming Standard to Products	IEC 947-5-1, EN 60 947-5-1, VDE 0660-200
Conforming Standard to Assemblies	IEC 204-1, EN 60 204-1, NF C 79-130
Resistance to Vibration	25 gn(10 - 500Hz) conforming to IEC 68-2-6
Resistance to Shock	50 gn conforming to IEC 68-2-27
Electric Shock Protection	Class I conforming to IEC 536 and NF C 20-030
Ambient air temperature	Operation : - 25 ~ 70°C — Storage: - 40 ~ 70°C
IP Class	IP66
Mechanical Durability	2 million Op. cycles
Torque for Tripping	0.5 Nm
Torque for Positive Opening	0.75 Nm
Maximum Actuation Speed	1.5m/s
Rated Operational Characteristics	AC-15 ; A300 or Ue = 240 V, Ie = 3 A DC-13 ; Q300 or Ue = 125 V, Ie = 0.55 A conforming to IEC 947-5-1 Appendix A,
Rated Insulation Voltage	Ui = 600 V degree of pollution 3 conforming to IEC 97-1,EN60947-5-1
Rated Impulse Withstand Voltage	U imp = 6 kV conforming to IEC 947-1, IEC 664
Positive Operation	N/C contacts with positive opening operation conforming to IEC 947-5-1 , EN 60 947-5-1
Short-circuit Protection	10A cartridge fuse type gG(gl)
Conduits	1/2NPT, M20×1.5, PG13.5
Cabling	Screw and captive cable clamp terminals. Clamping capacity, min.: 1 x 0.34mm ² , max.: 2 x 1.5mm ² or 1 x 2.5mm ² depending on contact, Screw tightening torque max.:1.2Nm
Weight	0.55kg

Switch Operation



Electric Parts - Limited Switch for Long Travelling
XCE145 Series



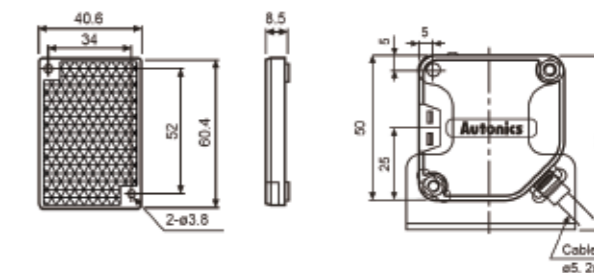
Environment	
Shock resistance	30 gn 18 ms IEC 60068-2-27
Vibration resistance	1.5 mm double amplitude 10...55 Hz IEC 60068-2-6
IP degree of protection	IP65 IEC 60529
Ambient air temperature for operation	-25...70 °C
Marking	CE
Standards	IEC 60947-5-1
Offer Sustainability	
Sustainable offer status	Green Premium product
RoHS (date code: YYWW)	Compliant - since 0913 - Schneider Electric declaration of conformity
REACH	Reference not containing SVHC above the threshold
Product end of life instructions	Need no specific recycling operations
Contractual warranty	
Warranty period	18 months

Main	
Range of product	OsiSense XC
Series name	Asie
Product or component type	Limit switch
Product specific application	Medium duty
Device short name	XCE
Body type	Fixed
Head type	Rotary head
Material	Plastic and metal
Fixing mode	By the body
Movement of operating head	Rotary
Type of operator	Spring return roller lever thermoplastic variable length
Switch actuation	By 30° cam
Type of approach	Lateral approach 2 directions
Electrical connection	Screw-clamp terminals, 1 x 2 mm ²
Cable entry	1 flexible rubber cable gland, cable outer diameter: 6...9 mm
Number of poles	1
Contact operation	Snap action
Positive opening	Without
Maximum force for tripping	6 N
Complementary	
Contacts insulation	Za Minimum
form release force	0.5 N Maximum
actuation speed	1.3 m/s
Operating rate	120 cyc/mn
Contact code designation	B300; AC-15(Ue = 240 V, Ie = 1.5 A) IEC 60947-5-1
Resistance across terminals	<= 25 MOhm 5 V, 5 mA, 10000000 operations
Dielectric strength	2000 V
Electrical durability	1000000 cycles AC-15, (1.5 A 240 V)
Mechanical durability	15000000 cycles
Width	28 mm
Height	64 mm
Depth	25 mm
Product weight	0.21 kg

Electric Parts - Photoelectric Sensor
BEN Series

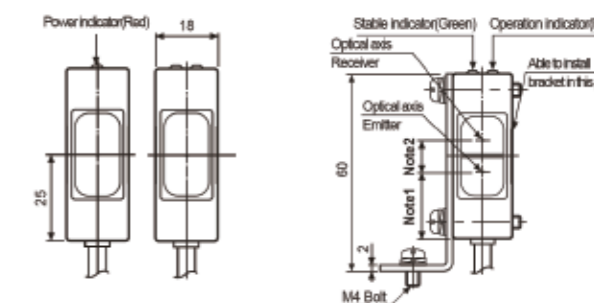
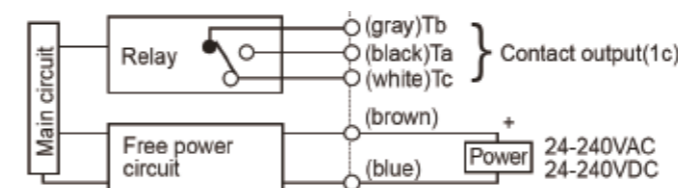


Dimensions:



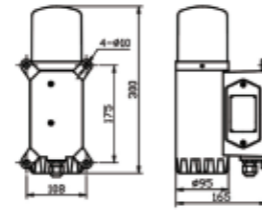
•Through-beam type

•Retroreflective



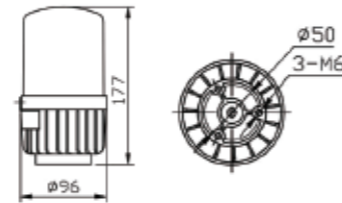
Type	Free power, Relay contact output	
	Through-beam	Retroreflective
Model	BEN10M-TFR	BEN5M-MFR
Sensing distance	10m	0.1 to 5m
Sensing target	Opaque materials of min.ø16mm	Opaque materials of min.ø60mm
Response time	Max.20ms	
Power supply	24-240VAC±10% 50/60Hz, 24-240VDC±10%(ripple P-P:max.10%)	
Power consumption	Max. 4VA	
Light source	Infrared LED (850nm)	
Sensitivity adjustment	-	Sensitivity adjuster
Operation mode	Selectable Light ON or Dark ON by switch	
Relay lifetime	Mechanically:Min.50,000,000 operation, Electrically: Min.100,000 operation	
Control output	Relay contact output •Relay contact capacity: 30VDC~3A of resistive load, 250VAC~3A of resistive load •Relat contact composition:1c	
Relay lifetime	Mechanically:Min.50,000,000 operation, Electrically: Min.100,000 operation	
Light receiving element	Photo IC	
Indication	Operation indicator: red, stable indicator: green	
Insulation resistance	Over 20MΩ (at 500VDC megger)	
Noise immunity	±1000V the square wave noise(pulse width:1μs) by the noise simulator	
Dielectric strength	1000VAC 50/60Hz for 1 minute	
Environment	Ambient illumination	Sunlight: max.11,000lx, incandescent lamp: max.3,000lx(receiver illumination)
	Ambient temperature	-20 to 65°C, storage: -25 to 70°C
	Ambient humidity	35 to 85%RH, storage: 35 to 85%RH
Protection structure	IP50(IEC standard)	
Material	•Case, case cover: heat resistant ABS •Sensing part: PC(with polarizing filter PMMA)	
Cable	ø5.0mm, 5-wire, length: 2m(emitter of through-beam type: ø5.0mm, 2-wire, length: 2m) (A WG22, core diameter: 0.08mm, number of cores: 60, insulator diameter: ø1.25mm)	
Accessories	Individual	-
	Common	Adjustment screwdriver, mounting bracket, M4 bolt: 4, M4 nut: 4
Unit weight	Individual	-
	Common	Adjustment screwdriver, mounting bracket, M4 bolt: 2, M4 nut: 2
Unit weight	Approx.354g	Approx.208g

Crane Alarm System
NTBC-8 Series



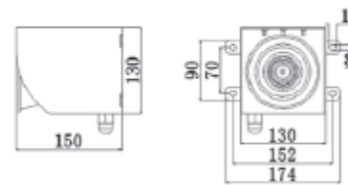
Power supply	AC24V / AC36V / AC110V AC220V/ DC24V / Customized	Pitch	A/B/E/D/Y/L/F Voice (optional)	Volume	106dB
Hz	50Hz ~ 60Hz	Material	Casing :Alu-alloy Lampshade: PC	Alarm Type	Sound and Lighting
Working Temperature	-30°C ~ +70°C	Color	Red, Yellow, Green	IP Class	IP65
Operating Humidity	10% ~ 95%	Power	6W	Weight	2.7KG

Crane Alarm System
NTBC-809 Series



Power supply	AC24V ~ AC240V/ AC380V/ DC12V/ DC24V /DV48 Customized	Pitch	A/B/D/E Voice (optional)	Volume	108dB-110dB
Hz	50Hz ~ 60Hz	Material	Casing :Nylon + GF30%	Alarm Type	Sound and Lighting
Working Temperature	-30°C ~ +70°C	Color	Red, Yellow, Green	IP Class	IP65
Operating Humidity	10% ~ 95%	Power	10W	Weight	0.5Kg

Crane Alarm System
NTAE310U Series



Power supply	AC24V / AC36V / AC110V AC220V/ AC380V/ DC24V / Customized	Pitch	A/B/D/E Voice (optional)	Volume	120dB
Hz	50Hz ~ 60Hz	Material	Casing : Steel painting	Alarm Type	Sound
Working Temperature	-30°C ~ +70°C	Color	Red	IP Class	IP65
Operating Humidity	10% ~ 95%	Power	20W	Weight	2.0Kg

Other Safety Device - LED Light
BCS135 Series



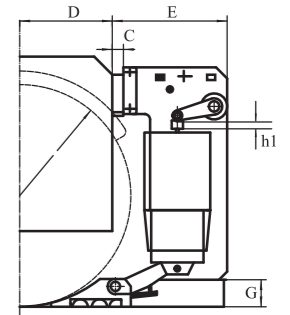
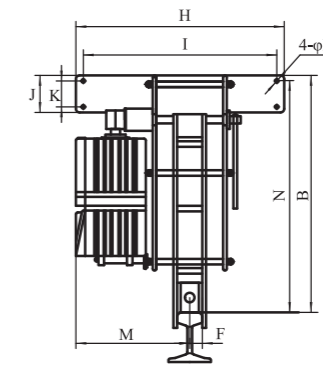
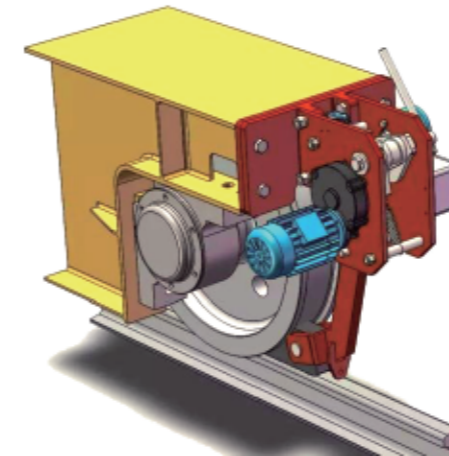
Power	Lumen Output	Weight	Color	CCT	Voltage	Frequency	Irradiation Distance	Beam Angles	Irradiated Area
200W	22000lm	3.2kg	Grey	3000k /6500k	220-240V	50/60Hz	20~25m	130°	30~35m ²

Crane Rail Locker

Gantry Crane Rail Locker is a safety device which can lock the crane on a fixed position in a strong wind weather.

Nante can offer different storm locker solution base on different application:

1. Storm Locker for Flat/Square bar
2. Storm Locker for A rail, QU rail, JIS rail, P rail.
3. Manual Crane Rail Locker, Automatic Crane Rail Locker.
4. Motorzed Crane Rail locker, Hydrurial Crane Rail Locker



Model	Size	Electro-hydraulic Model	A (mm)	B (mm)	C (mm)	D (mm)	E (mm)	F (mm)	G (mm)	H (mm)	I (mm)	J (mm)	K (mm)	L (mm)	M (mm)	N (mm)	h1 (mm)	Weight (kg)
SLG-200/80	Ed80/6ws		200	640	20	250	310	60	55	450	400	165	100	18	360	607	8	129
SLG-250/80	Ed80/6ws		250	640	20	250	310	60	55	450	400	165	100	18	360	607	8	129
SLG-300/80	Ed80/6ws		300	640	20	250	310	60	55	450	400	165	100	18	360	607	8	129
SLG-400/80	Ed80/6ws		400	640	20	250	310	60	55	450	400	165	100	18	360	607	8	129
SLG-500/80	Ed80/6ws		500	640	20	350	310	60	55	600	550	165	100	18	360	605	8	129
SLG-550/80	Ed80/6ws		550	640	20	350	310	60	55	600	550	165	100	18	360	725	8	129
SLG-600/80	Ed80/6ws		600	760	25	350	315	60	120	600	550	170	100	22	360	725	8	146
SLG-630/80	Ed80/6ws		630	760	25	350	315	60	120	600	600	170	100	22	360	725	8	146
SLG-700/80	Ed80/6ws		700	760	25	350	315	70	120	700	650	170	100	22	360	725	8	149
SLG-710/80	Ed80/6ws		710	760	25	350	315	70	120	700	650	170	100	22	360	725	8	149
SLG-800/80	Ed80/6ws		800	910	25	400	355	70	120	700	650	170	100	22	360	915	8	164



Manual Clip Type



Motorized Clip Type



Automatic Clip Type



Manual Wedge Type



Automatic Wedge Type